

# Industrial & Bay LED Light



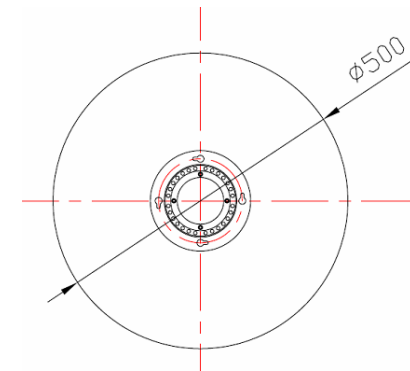
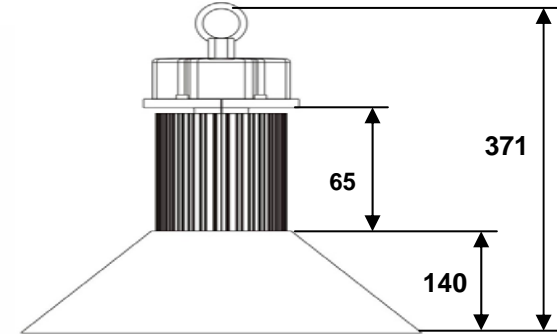
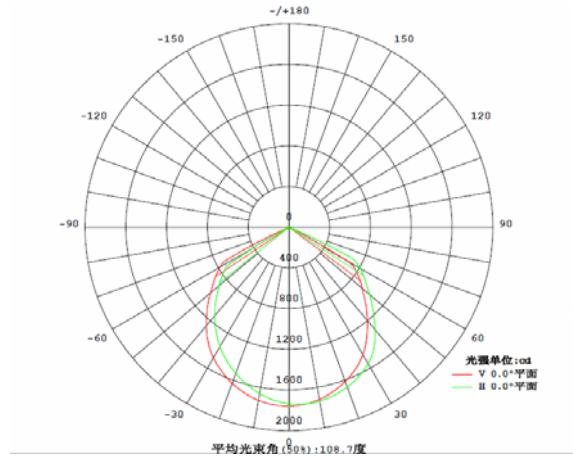
**EcoGreen @SG** (member of NewDVR (S) Pte Ltd Group of companies)

website: [www.ecogreen@sg](http://www.ecogreen@sg) | Email [sales@ecogreen.sg](mailto:sales@ecogreen.sg) | HQ: 65. 6469 4594

HQ: Blk. 153 Bukit Batok St.11 # 03-296, Singapore ( 650153 ), Tel: S'pore 65-64694594, Fax: 65-62343917

Sales & Marketing, Shenzhen EcoGreen @SG: Rm 22B, Shenhua Business Building Subsidiary Building, No: 2018 Jabin Road, Luohu District, Shenzhen, N. China ( 518001 ) Tel: 65. 6725 8000 ext 53990, 86. 135 1069 7626

# TC-IND-30W



## Illuminance Diagram

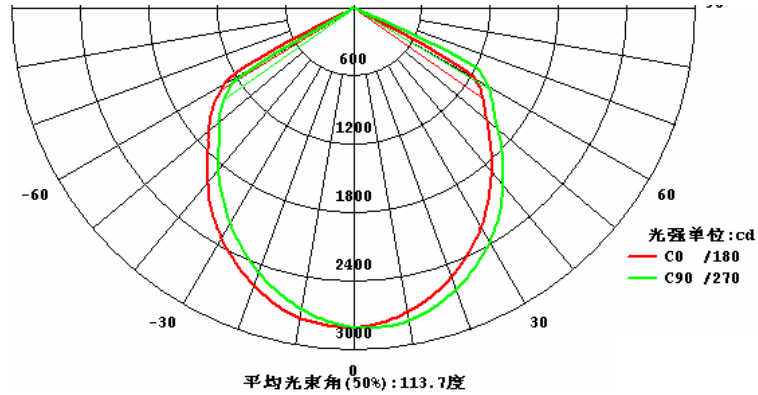
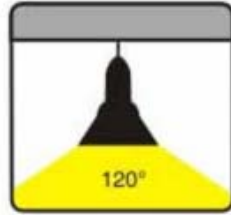
### LED HIGH/LOW BAY

#### 30W Led highbay

- Input Volt.:85-265VAC
- Power factor: >0.98
- LED quantity:1pcs
- Beam angle: 100-120degree/
- Lum.:2250lm
- Illuminance Uniformity>0.5
- Color Rendering Index >75
- IP45 waterproof
- Die casting Aluminium with High quality of reflector
- Led color: warm white/cool white

Height	Illuminance Area(diameter)	Average Illuminance
2m	11m	16lux
4m	17m	7lux
6m	22m	4lux

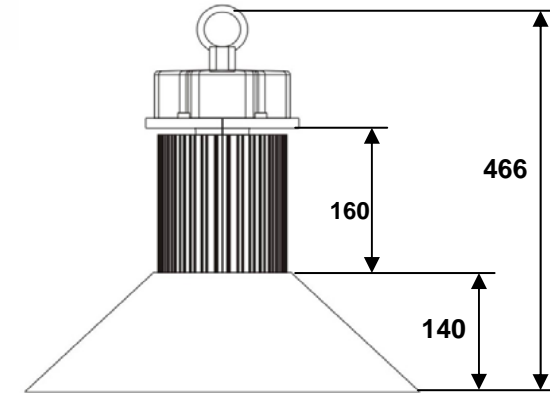
# TC-IND-100W



IP45

## Illuminance Diagram

### LED HIGH/LOW BAY



### 100W Led highbay

Input Volt.:85-265VAC

Power factor: >0.98

LED quantity:1pcs

Beam angle:

100-120degree/

Lum.:8000lm

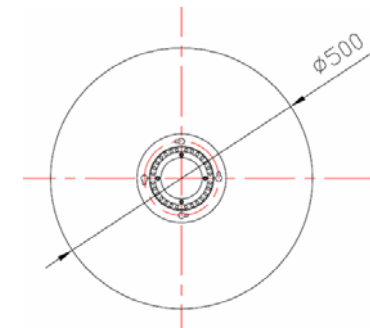
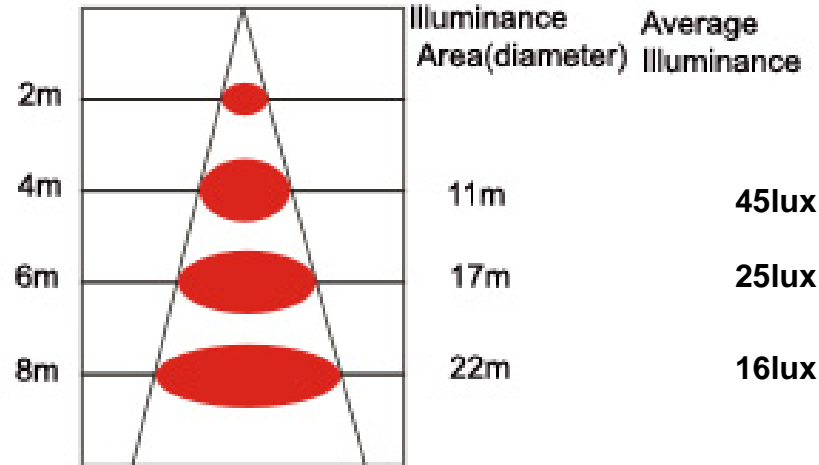
Illuminance Uniformity>0.5

Color Rendering Index >75

IP45 waterproof

Die casting Aluminium with High quality of reflector

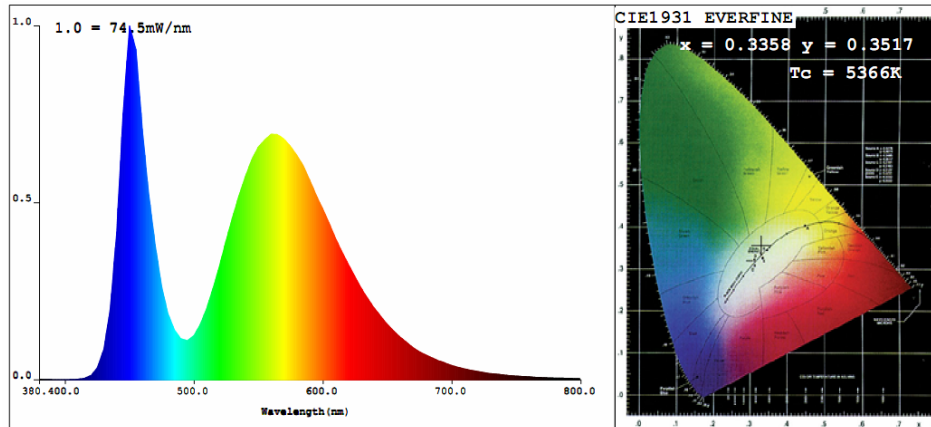
Led color: warm white/cool white



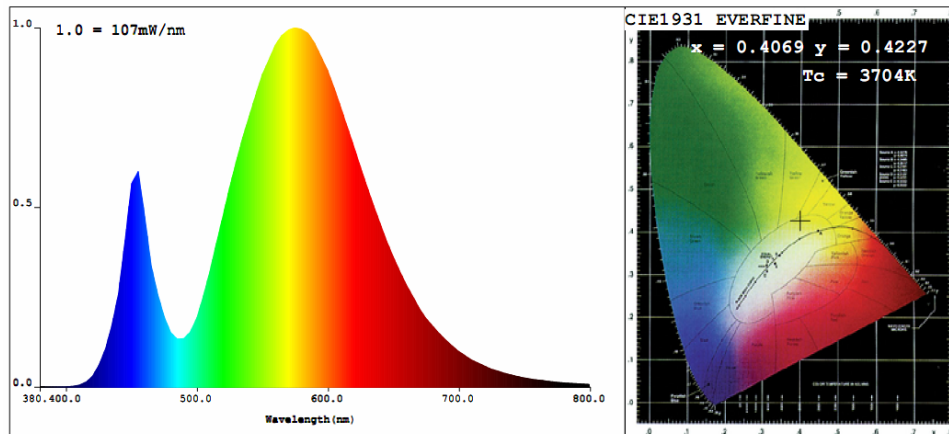
Color temp.reference:



Warm white



White color



## Application for LED Industrial & Bay Light

