



# TT 330<sub>DA</sub>

The TT 330 series, with its smooth curves, offer an elegant design to the common tripod turnstiles. The tripod is easy to install, without requiring special tools and can be easily customized to suit a range of applications.

The high operational speed of the N-OTT mechanism makes it ideally suited for Contactless / Proximity Smart Cards systems. Taking full advantage of the faster processing speed to increase overall throughput.

## N-OTT Mechanism

Our N-OTT (Normally Open Tripod Turnstile) mechanism are set to operate in Normally Open mode at default.

This means during normal operation, the mechanism remains unlocked and locks only when it detects an attempted unauthorized entry.

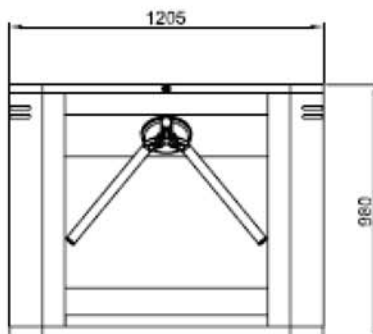
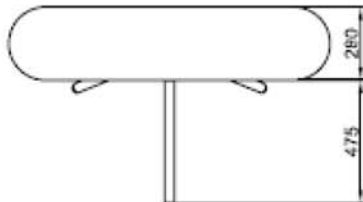
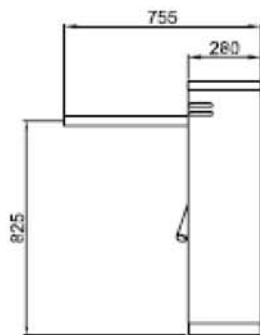
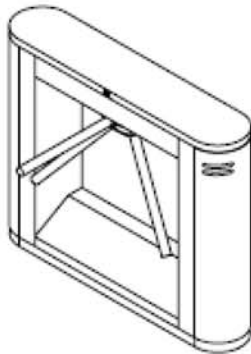
Advantages over conventional tripod mechanisms are:

- Wear and tear is reduced greatly as no mechanical parts are in motion at most times.
- Power consumption is reduced as the solenoid is not supplied power during normal operation.
- Speed of operation is increased as the cam is free to rotate as long as authorization is provided. No delay for locking / closing sequence is required.
- Noise levels are minimal as noise is generated only if unauthorized entry attempts are made.

## Technical Specifications

<b>Operation:</b>	The turnstile is electrically controlled and manually operated, without the need of a motor. The tripod rotates 120 degrees in the authorized direction upon receiving a signal.  The tripod arms are unlocked during idle and remain unlocked to rotate in the right direction, when authorized. The turnstile shall lock to prevent passage only when an unauthorized turn is detected.
<b>Normally Closed:</b>	To revert to conventional turnstile operation mode (Normally Closed), all it takes is a simple change in the setting of the onboard microprocessor controller. This will then command the solenoid to lock after every passage.
<b>Throughput:</b>	40 persons per minute (Normally Open).
<b>Non-return:</b>	The tripod cannot be reversed once half a turn has been carried out.
<b>Self-Centering:</b>	The tripod auto rotates to its idle position once turning has been initiated. If the tripod does not return to its idle position within a fixed time, an alarm will be triggered.
<b>Hydraulic damper:</b>	Integrated hydraulic damper guarantees a smooth and homogeneous rotation of the tripod and protects the mechanism from hard impacts.
<b>Fail Safe:</b>	The turnstile can be easily configured by the user to behave in either Fail Safe Open (FSO) or Fail Safe Lock (FSL) during emergency or power failure.
<b>Automatic Drop Arm:</b>	Tripod turnstile fitted with automatic drop arm are available. The barrier arm drops to allow unimpeded passage through the turnstile during emergency or power loss.
<b>Alarm:</b>	Audible alarm and flashing traffic lights is use to alert and identify when there is a transgression.
<b>Traffic Light:</b>	Traffic lights are available with Red cross and Green arrow. A fault will trigger the Traffic light to flash in Red.
<b>Traffic Control:</b>	Passage in both directions, electronically controlled. Turnstile can be configured as: <ul style="list-style-type: none"> <li>● Entrance or Exit only.</li> <li>● Bi-directional access.</li> <li>● Controlled in one direction with free passage in another.</li> </ul>
<b>Control Console:</b>	An optional dedicated console can be use to remotely control the traffic and activate additional function such as; single passage override for VIP guest or remote locked down.
<b>Internet ready:</b>	Remote control can be replicated done with a PC via LAN (TCP/IP). Each gate can be equipped with its own IP address to allow monitoring and control from a PC.

# TT 330<sub>DA</sub>



## Mechanical characteristics

<b>Top :</b>	304 grade Stainless Steel
<b>Cabinet :</b>	Powder Coated Steel (RAL 7004) 304 grade Stainless Steel
<b>Tripod arms :</b>	Dia. 38 mm AISI 304 Stainless Steel tubing with closed ends.
<b>Plinth:</b>	304 grade Stainless Steel
<b>Color:</b>	RAL 7004 Light Grey (default), RAL1033 Yellow, RAL7031 Blue Grey, RAL9003 White.

## Electrical characteristics

<b>Power supply:</b>	110-240 V, 50/60Hz
<b>Consumption:</b>	7 W (normally Open) 20 W (Normally Closed)
<b>Operating temperature:</b>	0 to 45° C.
<b>System Connectivity:</b>	Potential free contacts (Compatible with most access control systems).
<b>Controller:</b>	Microprocessor controller which allows parameters governing operation, alarms, traffic control and interfacing with control system to be programmed onboard, without the use of external device.

## Accessories

<b>Automatic Drop arm</b>	Automatic drop arm can be fitted as an option. A signal is sent to warn that the arm is in the down position. The signal is cancelled upon resetting the arm to its fixed horizontal position.
<b>Remote console</b>	Optional dedicated console for controlling the turnstile.
<b>TCP / IP module</b>	Optional kit controlling the gate remotely via internet.
<b>LED traffic lights</b>	Optional Green ← or Red X traffic lights.
<b>Alternative tops</b>	Cabinet top can be custom with alternative material such as: <ul style="list-style-type: none"> <li>• Synthetic surface</li> <li>• Stones and marble</li> <li>• Tempered glass</li> </ul>
<b>Custom design</b>	Cabinet can be custom made to fit requirements.



Our turnstiles are CE approved and complies with EMC Directive 2004/108/EC and Low Voltage Directive 2006/95/EC.